

POP®



ProSet® 2500

The new standard for pneumatic rivet tools

Features & Benefits

Performance

- High force-to-weight ratio
- Quick disconnect nosehousing
- Quick disconnect jaw case
- Quick disconnect Mandrel Collector

Ergonomic

- Lightweight polymer construction
- Comfortable two finger, low activation force trigger
- Directionable air exhaust (MCS mode)

Economy

- On/Off, left or right swivel air fitting
- Spring return for a reliable fast setting cycle

Adaptability

- Optional extended 140 mm long front end for extra reach
- POP® Rivet Presenter (RP) compatibility
- POP® SmartSet rivet monitor system compatibility

Safety

- Air-isolation during MCS removal

The ProSet® 2500 tool sets a new standard for pneumatic rivet tools. Designed specifically to set a wide range of blind rivets, including 4.8 mm High Strength and Stainless Steel, the tool delivers 9.4 kN of pulling force with a "highest in class" force-to-weight ratio of 7.18 kN/kg.

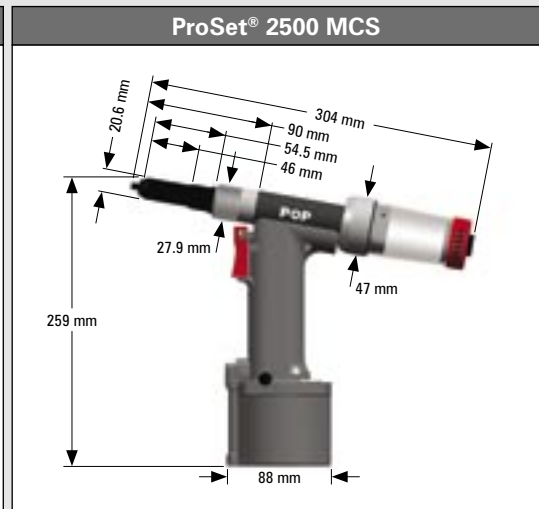
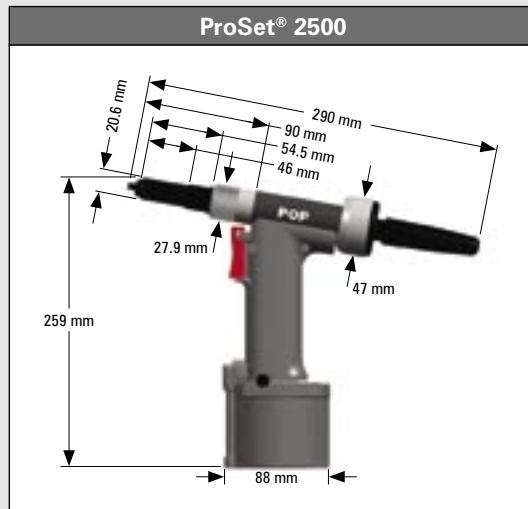
The ProSet® 2500 tool features many innovative high performance features including a patented "Quick Disconnect" nose housing and jaw case for rapid cleaning and maintenance of the front end of the tool without the need for tools. With the 2500 "Quick Disconnect" Mandrel Collection System (MCS), mandrels are safely collected and can be quickly disposed of, maintaining cleaner work areas. An air-isolation switch on the MCS prevents air flow when the MCS is disconnected and allows mandrels to be disposed of safely. The tough aluminum casing enhances the life of the tool.

A left or right 90° swivel air fitting ensures the tool can be adapted to virtually any workstation configuration, while the "on/off" switch minimises air consumption. A spring return ensures fast, reliable setting cycles. An extended 140 mm front end is also available for extra reach in special setting situations.

The ProSet® 2500 is also compatible with other Emhart Teknologies automation systems including the Remote Mandrel Collection System (MCS) and the POP® Rivet Presenter (RP). The 2500 will set 2mm Micro Rivets, 2.4 mm, 3,2 mm, 4.0 mm and 4.8 mm diameter rivets in all materials including high strength structural steel rivets.



POP® ProSet® 2500 Rivet Tool



Weight	1.20 kg
Length	290 mm
Height	259 mm
Tool Stroke	18 mm
Pulling Force	9400 N @ 6.2 bar
Force/Weight Ratio	7.83 kN/kg
Air Consumption	2.15 litres/rivet

Weight	1.31 kg
Length	304 mm
Height	259 mm
Tool Stroke	18 mm
Pulling Force	9400 N @ 6.2 bar
Force/Weight Ratio	7.18 kN/kg
Air Consumption	70 litres/min (max)

Rivet Capacity

Rivet Type	Material (Body – Mandrel)	Rivet Diameter		
		3.0-3.2 mm*	4.0 mm*	4.8 mm**
Open End & Multi-Grip™	Aluminium – Aluminium	✓	✓	✓
	Aluminium – Steel/St. Steel	✓	✓	✓
	Steel – Steel	✓	✓	✓
	St. Steel – St. Steel	✓	✓	✓†
	Monel – Steel/St. Steel	✓	✓	✓†
Closed End	Aluminium – Aluminium	✓	✓	✓
	Aluminium – Steel/St. Steel	✓	✓	✓
	Copper – Steel	✓	✓	✓
	Steel – Steel	✓	✓	✓
	St. Steel – St. Steel	✓	✓	✓
LSR Rivets	Aluminium – Aluminium	✓	✓	✓
HR™ Rivets	Steel – Steel	✓	✓**	✓
F Series	Aluminium – Aluminium	✓	✓	✓
	Steel – Steel	✓	✓	✓
T Rivet	Aluminium – Steel	✓	✓	✓
Self Plugger	Steel – Steel	✓	✓	✓
UltraGrip™	Aluminium – Aluminium			✓
	Steel – Steel			✓
	St. Steel – St. Steel			✓

* Use FAN275-028 Jaw pusher set up

** Use DPN275-027 Jaw pusher set up

† Exclude Multi-Grip™

NOTE: St. Steel = Stainless Steel

Optional Accessories

Part Number	Description
DPN239-110	17 mm Hex. Socket Screw Key
FAN275-132	Front End 140 mm Extension Kit
FAN275-133	ProSet® 2500 Seal Kit
FA203-408	Adaptor kit for Remote MCS (MCS5000)
FAN275-134	Mandrel Collection System Retrofit Kit
FAN275-198	Reduced Diameter Front End Kit



MCS Retrofit Kit



Extended Nose Housing

Emhart Teknologies

177 Walsall Road, Perry Barr
Birmingham, B42 1BP United Kingdom

Please call our Customer Service Team on:

Tel: +44 (0) 121 331 2460

Fax: +44 (0) 121 356 1598

www.emhart.com

**Emhart
Teknologies**